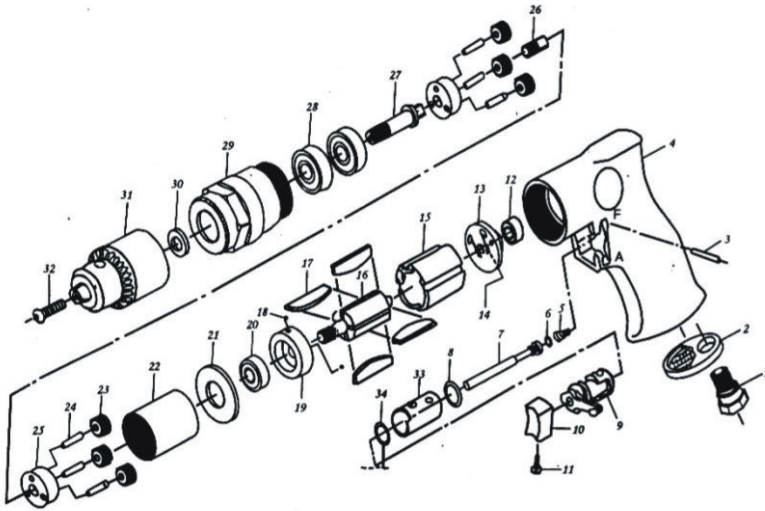


# 1/2" REVERSIBLE AIR DRILL



Ref.	Description	No.	Ref.	Description	No.
01	Air inlet	1	18	Steel ball	1
02	Exhaust sleeve	1	19	Front plate	1
03	Spring pin	1	20	Bearing	1
04	Housing	1	21	Washer	1
05	Spring	1	22	Gear link	1
06	O-ring	1	23	Gear	3
07	Valve stem	1	24	Pin	3
08	O-ring	1	25	Gear plate	2
09	Reverse lever	1	26	Gear shaft	1
10	Trigger	1	27	Shaft	1
11	Screw	1	28	Bearing	2
12	Bearing	1	29	Clamp nut	1
13	Rear plate	1	30	Washer	1
14	Steel ball	2	31	1/2" Chuck	1
15	Cylinder	1	32	Chuck screw	1
16	Rotor	1	33	Bushing	1
17	Rotor blade	4	34	O-ring	1